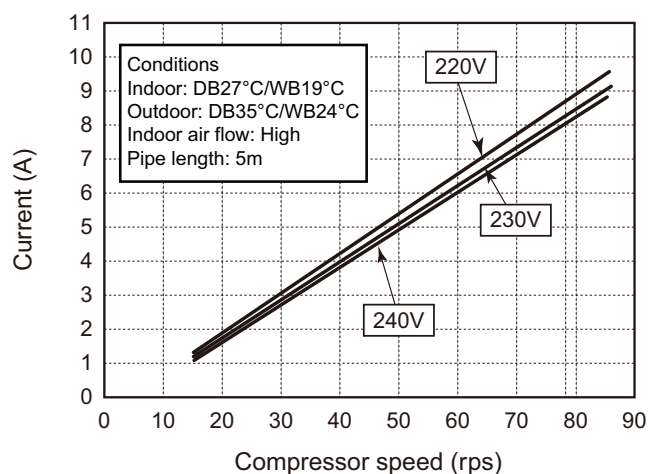


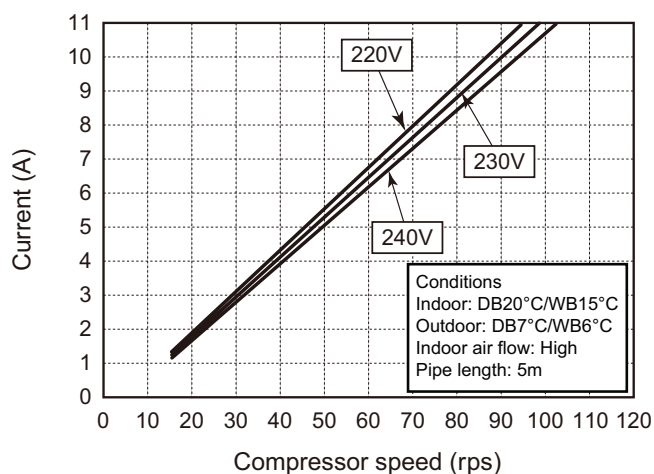
Parameter		Unit	Value	
Model			GWH09QB-K6DNA1C(LCLH) GWH09QB-K6DNB6C GWH09QB-K6DNB2C GWH09QB-K6DND6C GWH09QB-K6DNC4C	1.GWH09QB-K6DNB8I 2.GWH09QB-K6DNC4I 3.GWH09QB-K6DNE4I 4.GWH09QB-K6DNB4I 5.GWH09QB-K6DNA1I 6.GWH09QB-K6DND6I 7.GWH09QB-K6DNA5I 8.GWH09QB-K6DNA3I 9.GWH09QB-K6DNB8I 10.GWH09QB-K6DND6I 11.GWH09QB-K6DNE4I 12.GWH09QB-K6DNC6I
Product Code			CB419011901 CB435007501 CB432012501 CB460003001 CB444009201	1.CB438007400 2.CB444007400 3.CB470002200 4.CB434011500 5.CB419015100 6.CB460005600 7.CB425011700 8.CB424006800 9.CB438007401 10.CB460005601 11.CB470002201 12.CB443005200
Power Supply	Rated Voltage	V~	220-240	220-240
	Rated Frequency	Hz	50	50
	Phases		1	1
Power Supply Mode			Outdoor	Outdoor
Cooling Capacity(Min~Max)		W	2600(500~3350)	2600(500~3350)
Heating Capacity(Min~Max)		W	2800(500~3500)	2800(500~3500)
Cooling Power Input(Min~Max)		W	805(160~1400)	805(160~1400)
Heating Power Input(Min~Max)		W	755(200~1500)	755(200~1500)
Cooling Current Input		A	3.9	3.9
Heating Current Input		A	3.4	3.4
Rated Input		W	1500	1500
Rated Current		A	6.3	6.3
Air Flow Volume(SH/H/M//L/SL)		m ³ /h	560/490/430/330/-	560/490/430/330/-
Dehumidifying Volume		L/h	0.8	0.8
EER		W/W	3.23	3.23
COP		W/W	3.71	3.71
SEER		W/W	6.1	6.1
SCOP(Average/Warmer/Colder)		W/W	4.0/5.1/3.2	4.0/5.1/3.2
Application Area		m ²	12-18	12-18
Indoor Unit	Fan Type		Cross-flow	Cross-flow
	Fan Diameter Length(DXL)	mm	Φ98X580	Φ98X580
	Cooling Speed(SH/H/M//L/SL)	r/min	1300/1200/1050/800/-	1300/1200/1050/800/-
	Heating Speed(SH/H/M//L/SL)	r/min	1300/1200/1050/900/-	1300/1200/1050/900/-
	Fan Motor Power Output	W	20	20
	Fan Motor RLA	A	0.215	0.215
	Fan Motor Capacitor	μF	1	1
	Evaporator Form		Aluminum Fin-copper Tube	Aluminum Fin-copper Tube
	Evaporator Pipe Diameter	mm	Φ5	Φ5
	Evaporator Row-fin Gap	mm	2-1.4	2-1.4
	Evaporator Coil Length (LXDXW)	mm	584X22.8X266.7	584X22.8X266.7
	Swing Motor Model		MP24AA	MP24AA
	Swing Motor Power Output	W	1.5	1.5
	Fuse Current	A	3.15	3.15
	Sound Pressure Level(SH/H/M//L/SL)	dB (A)	39/36/32/28/-	39/36/32/28/-
	Sound Power Level(SH/H/M//L/SL)	dB (A)	55/52/44/38/-	55/52/44/38/-
	Dimension (WXHXD)	mm	790X275X200	790X275X200
	Dimension of Carton Box (LXWXH)	mm	863X268X352	863X268X352
	Dimension of Package(LXWXH)	mm	866X271X367	866X271X367
	Net Weight	kg	9	9
Gross Weight	kg	11	11	

2.2 Operation Characteristic Curve

Cooling



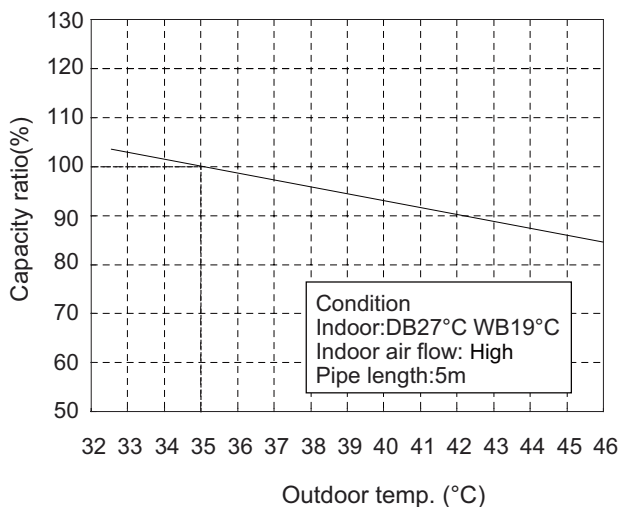
Heating



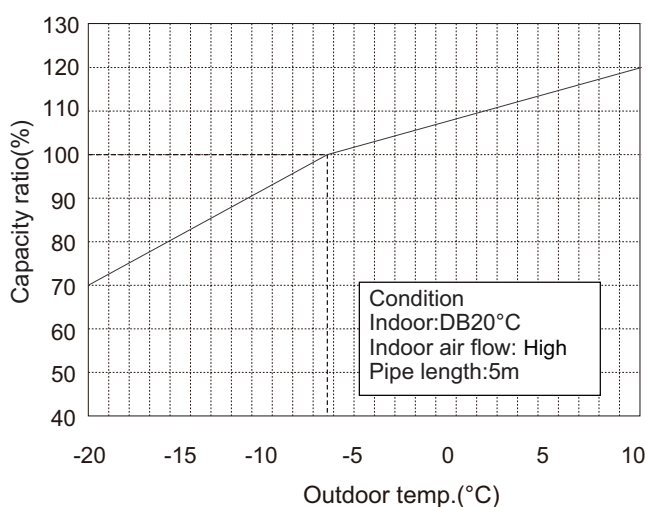
2.3 Capacity Variation Ratio According to Temperature

Heating operation ambient temperature range is -20°C~24°C

Cooling

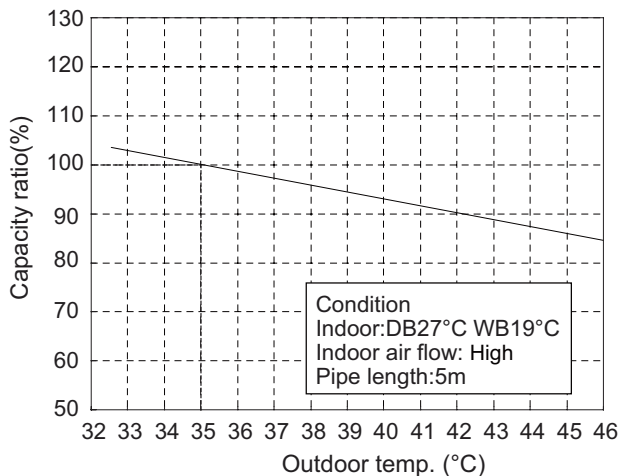


Heating

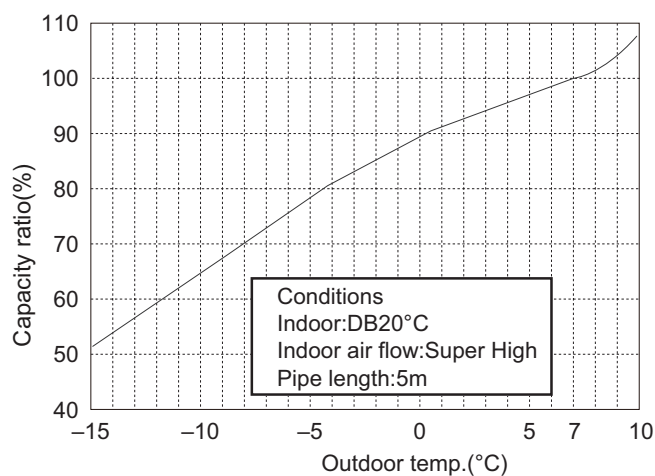


Heating operation ambient temperature range is -15°C~24°C

Cooling

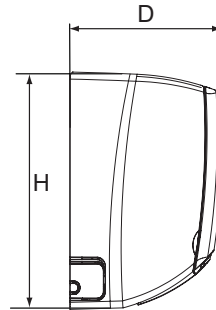
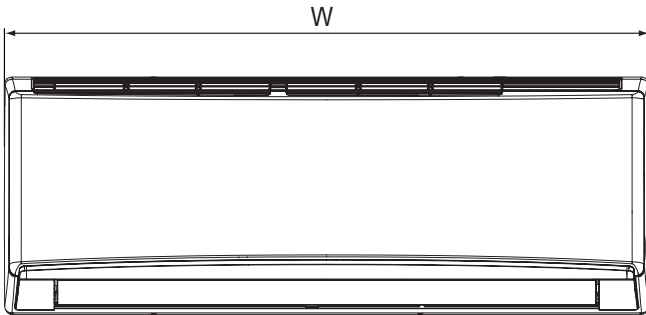


Heating

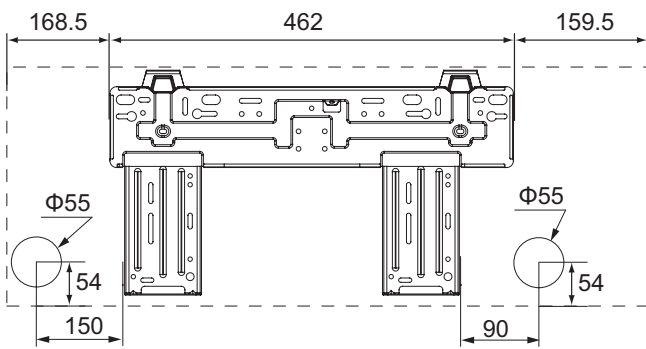


3. Outline Dimension Diagram

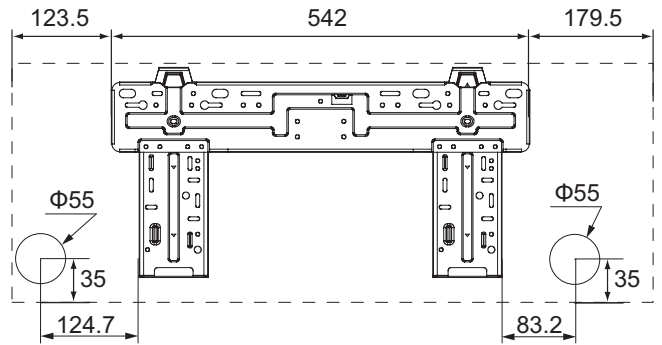
3.1 Indoor Unit



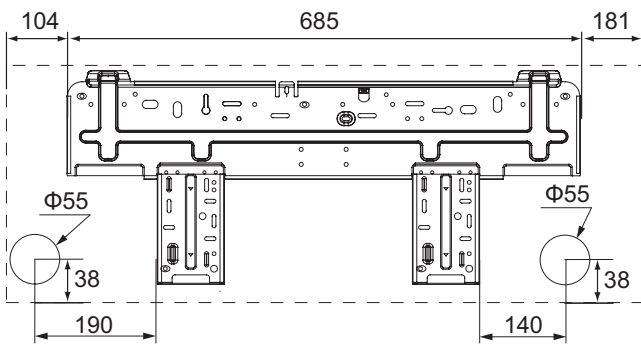
09K



12K



18K

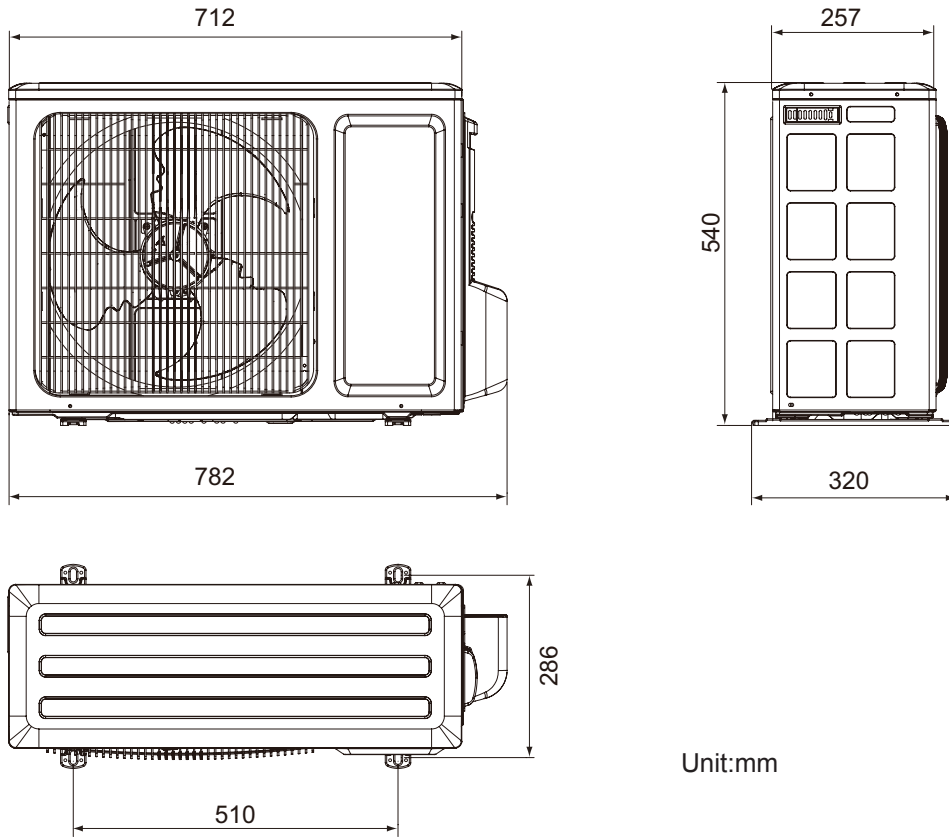


Model	W	H	D
09K	790	275	200
12K	845	289	209
18K	970	300	224

Unit:mm

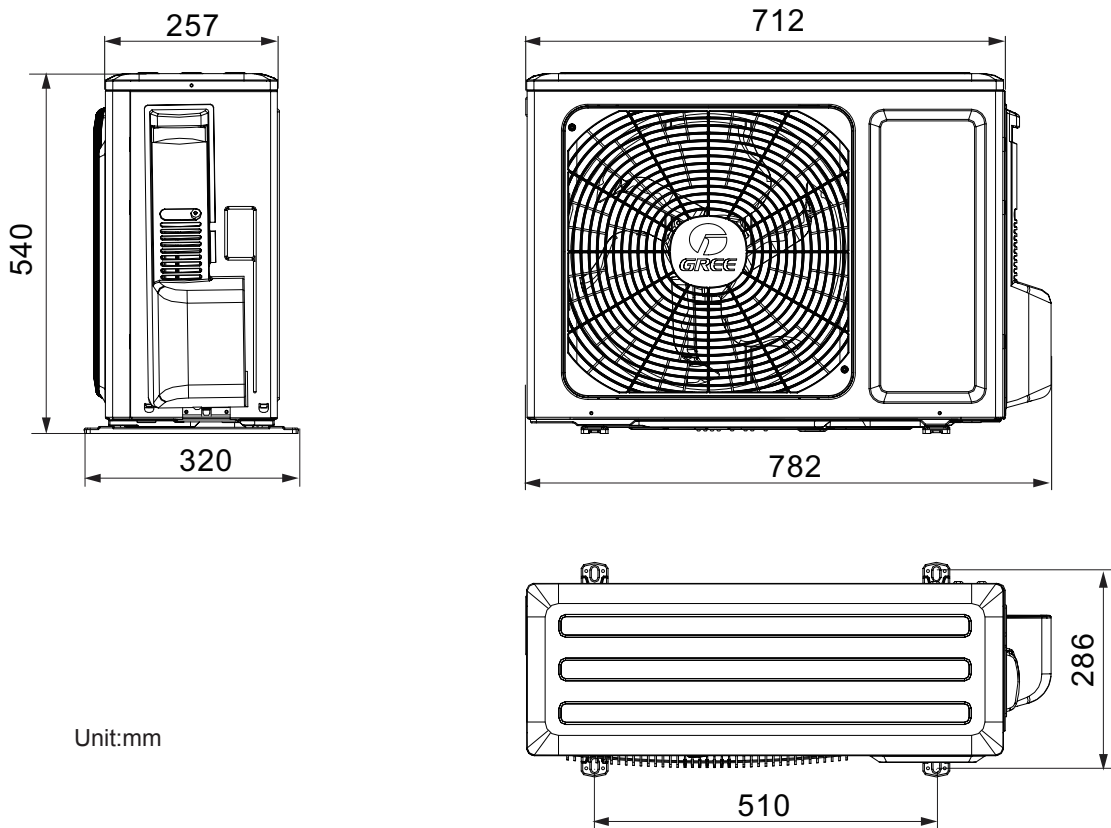
3.2 Outdoor Unit

GWH09QB-K6DNA1C/O



Unit:mm

GWH09QB-K6DNB8I/O GWH09QB-K6DNA1E/O



Unit:mm